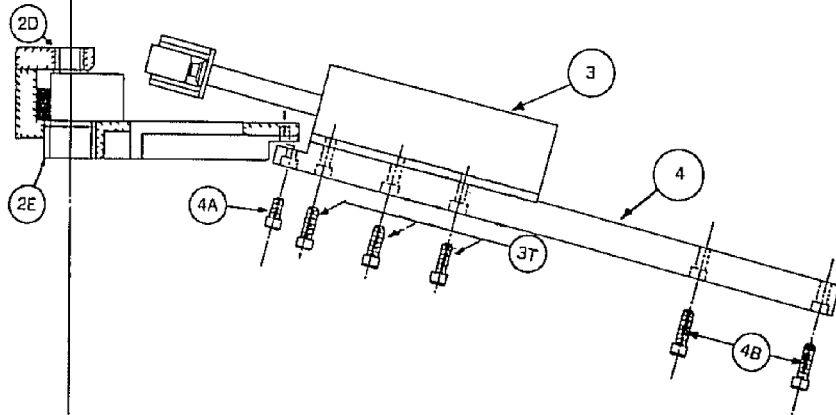
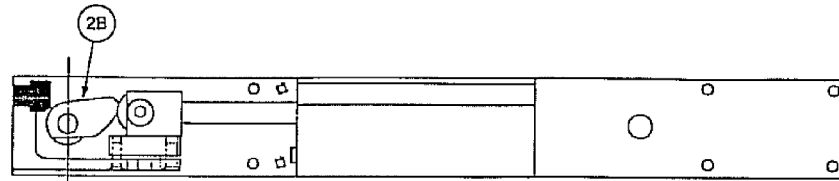


ellison

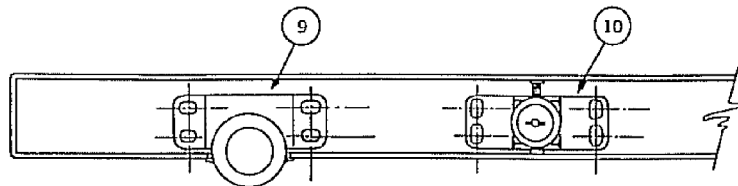
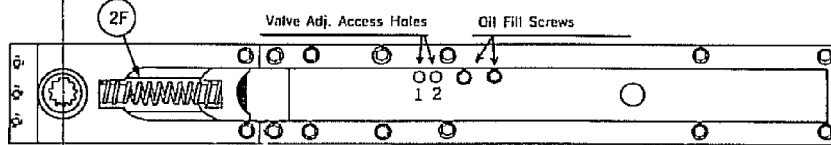
Ellison Bronze, Inc.

Parts List for Ellison Bronze balanced door model #139 control hardware

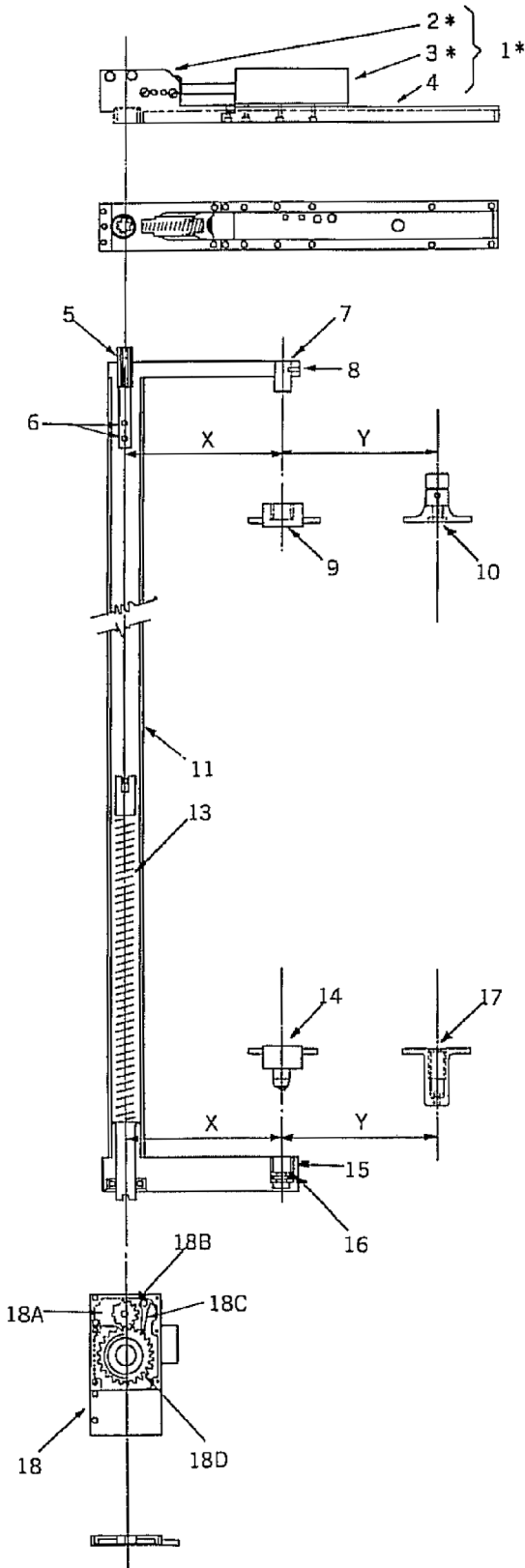
Used from 1967 to 1973



Item #3, Check & #4 Removable Guide Channel
Shown in Break-Away Position



Top View Of Door Showing Door Top Pivot & Door Roller
Guide With Screws Removed To Show Elongated Holes.
(Item #14, Door Bottom Pivot Similar To Door Top Pivot)

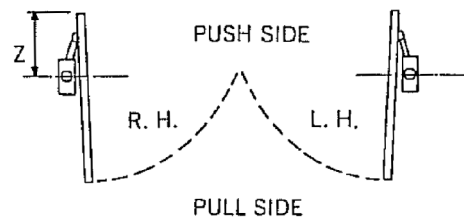


* These parts have been discontinued - contact the factory for information on conversion available to retrofit material to model #139B operating hardware.

NOTE:

- Item #1 Includes #2 Fixed Door Guide Channel, #3 Check & #4 Removable Door Guide Channel Together with their Related Parts.
- Item #3 Check Includes Complete Checking Mechanism Ready for Mounting on Removable Door Guide Channel.
- Item #11 Pivot Assembly Includes #12 Shaft Assembly & #13 Spring Assembly Together with their Related Parts.
- Item #12 Shaft Assembly Includes Top & Bottom Arms, #5 Splined Top Pivot Pin, #6 Top Pivot Screws, #7 Door Top Pivot Pin, #8 Set Screw, #15 Needle Bearing & #16 Thrust Bearing.
- Item #13 Spring Assembly Includes Spring, Top & Bottom Fittings & Bottom Thrust Bearing.
- Item #18 Floor Box includes Box, Gears, Pawl & Covers.

DOOR HARDWARE SCHEDULE				
Door Size	Hdwe. Size	Dim. X	Dim. Y	Dim. Z
Thru 32"	AA	6 $\frac{1}{4}$ "	5 $\frac{1}{2}$ "	10 $\frac{1}{2}$ "
33" - 36"	A	7 $\frac{1}{4}$ "	6 $\frac{1}{4}$ "	12 $\frac{1}{2}$ "
37" - 40"	B	8"	7 $\frac{1}{2}$ "	14 $\frac{1}{2}$ "
41" & Up	C	8 $\frac{1}{2}$ "	8 $\frac{1}{4}$ "	16 $\frac{1}{4}$ "





Ellison Bronze, Inc.

Parts List for Ellison Bronze balanced door
model #139 control hardware

Used from 1967 to 1973

Item#	Name	Special Information Needed
1	Check and Door Guide Assembly	discontinued - see note on parts drawing
2	Door Guide Assembly (fixed)	discontinued - see note on parts drawing
2B	Drive Cam	right or left hand
2D	Cam Upper Bearing	
2E	Cam Lower Bearing	
2F	Bumper Spring	
3	Door Check Assembly	discontinued - see note on parts drawing
3T	Check Mounting Screws	
4	Door Guide (removable section)	finish
4A	Removable Section Mounting Screw	
4B	Removable Section Mounting Screw	
5	Hinge Top Pivot Splined Pin	
6	Top Pivot Screw & Spacers	
7	Door Top Pivot Pin	
8	Top Pivot Pin Set Screw	
9	Door Top Pivot Bearing Assembly	finish
10	Door Roller Guide Assembly	
11	Hinge Pivot Assembly	r or l hand, size (A or C), door height and finish
13	Closure Spring Assembly	
14	Door Bottom Pivot	finish
15	Bottom Pivot Bearing	
16	Bottom Pivot Thrust Bearing	
17	Semi-Automatic Hold Open	
18	Floor Box Assembly	r or l hand, spec. to suit jamb, finish
18A	Floor Box Remov. Cover Plate	finish
18B	Spring Adjusting Gear	
18C	Spring Hold Pawl	
18D	Pivot Gear	