

Note:

Item #1 Includes #2 fixed door guide channel, #3 check, and #4 removable door guide channel together with their related parts.

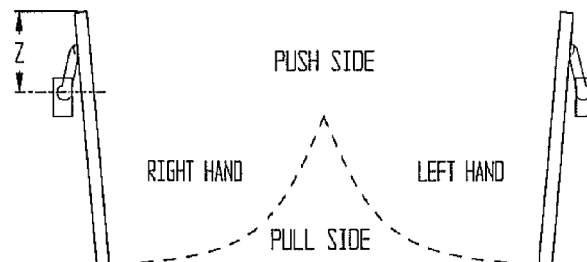
Item #3 Check includes complete checking mechanism ready for mounting on removable door guide channel.

Item #11 Hinge pivot assembly includes #13 spring assembly, top and bottom arms, #5 top pivot splined pin, #6 top pivot screws with spacers, #7 door top pivot pin, #8 set screw, #15 bottom pivot bearing and #16 bottom pivot thrust bearing.

Item #13 Spring assembly includes spring, top and bottom fittings and bottom bearing.

Item #18 Includes floor box, gears, pawl and covers.

DOOR HARDWARE SCHEDULE				
DOOR SIZE	HARDWARE SIZE	DIMENSION "X"	DIMENSION "Y"	DIMENSION "Z"
THRU 39"	"A"	7 1/8"	6 7/8"	12 11/16"
40" & UP	"C"	8 7/8"	8 11/16"	16 1/4"

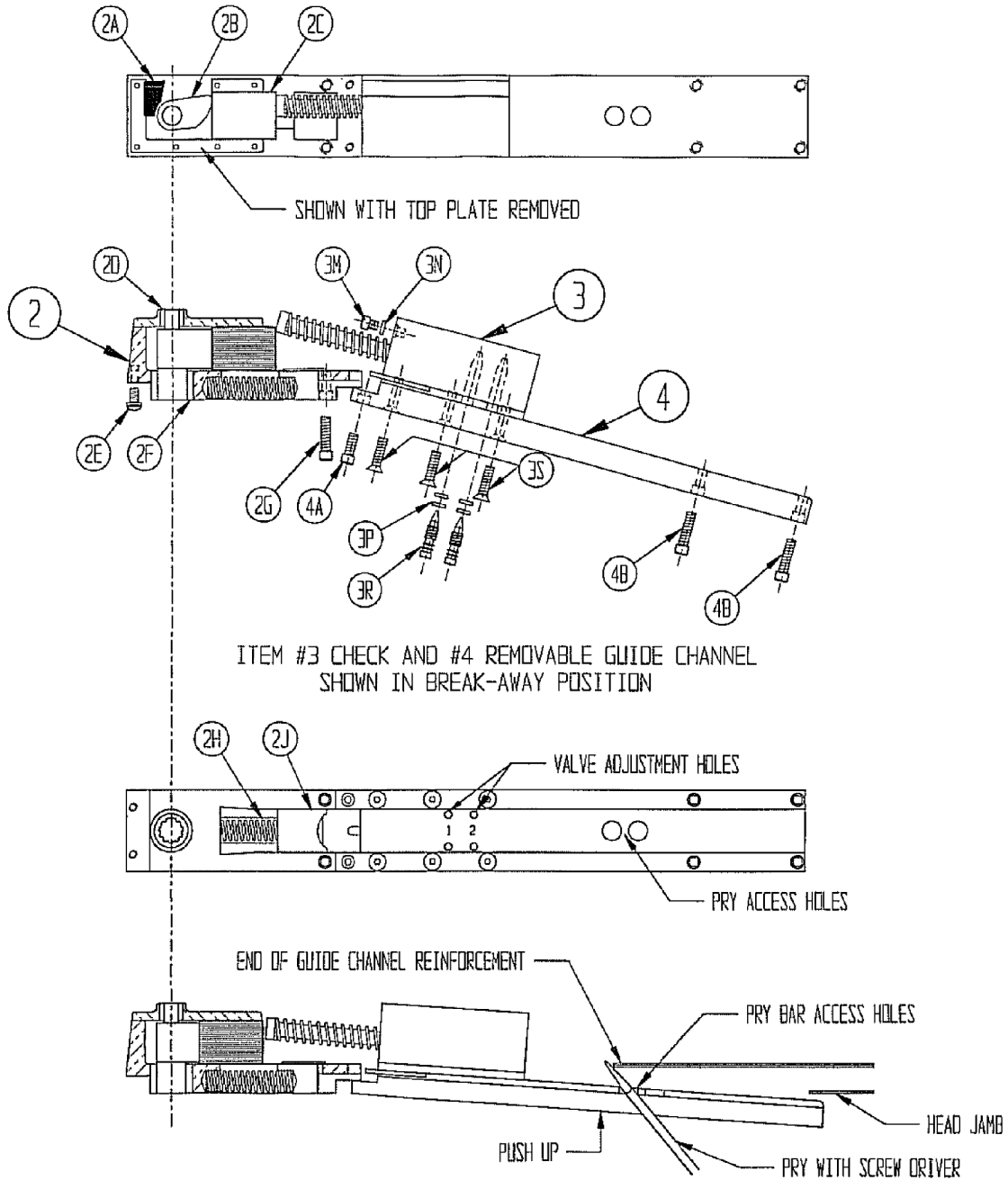


ellison

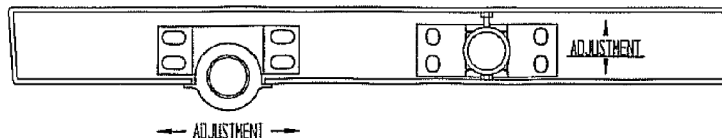
Ellison Bronze, Inc.

Parts List for Ellison Bronze balanced door model #139B control hardware

Used from 1973 to 1992



PART DETAIL SHOWING REMOVABLE GUIDE INSTALLATION



TOP VIEW OF DOOR SHOWING DOOR TOP PIVOT & ROLLER GUIDE WITH SCREWS REMOVED TO SHOW ELONGATED HOLES



Ellison Bronze, Inc.

Parts List for Ellison Bronze balanced door model
#139B control hardware

Used from 1973 to 1992

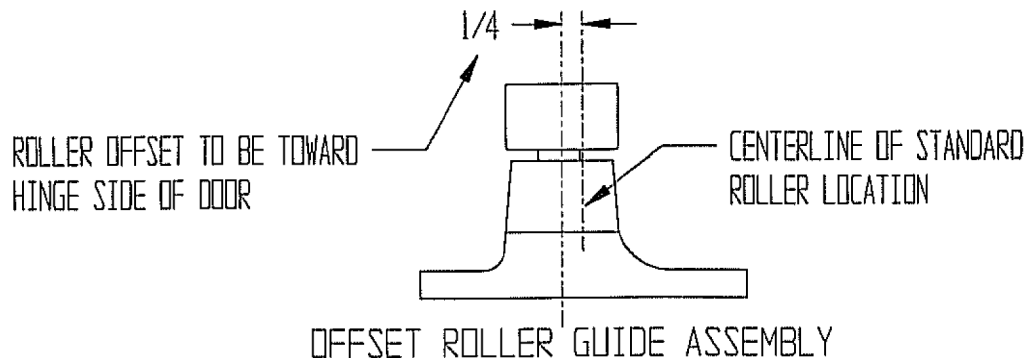
Item#	Name	Special Info. Needed
1	Check and Door Guide Assembly	right or left hand, finish
2	Door Guide Assembly (fixed)	right or left hand, finish
2A	Drive Cam Limit Bumper	
2B	Drive Cam	right or left hand
2C	Drive Block	
2D	Cam Upper Bearing	
2E	Heel Mounting Screw	
2F	Cam Lower Bearing	
2G	Fixed Guide Mounting Screw	
2H	Bumper Spring	blue-standard, red-heavy, gold-extra heavy
2J	Bumper Shoe	
3	Door Check Assembly	right or left hand
3M	Oil Fill Plug	
3N	Oil Fill Plug Seal	
3P	Valve Oil Seals	
3S	Check Mounting Screws	
4	Door Guide (removable section)	finish
4A	Removable Section Mounting Screw	
4B	Removable Section Mounting Screw	
5	Hinge Top Pivot Splined Pin	
6	Top Pivot Screw and Spacers	
7	Door Top Pivot Pin	
8	Top Pivot Pin Set Screw	
9	Door Top Pivot Bearing Assembly	finish
10	Door Roller Guide Assembly	
11	Hinge Pivot Assembly	r or l hand, size (A or C), door height and finish
13	Closure Spring Assembly	
14	Door Bottom Pivot	finish
15	Bottom Pivot Bearing	
16	Bottom Pivot Thrust Bearing	
17	Semi-Automatic Hold Open	
18	Floor Box Assembly	r or l hand, spec. to suit jamb, finish
18A	Floor Box Remov. Cover Plate	finish
18B	Spring Adjusting Gear	
18C	Spring Hold Pawl	
18D	Pivot Gear	
19	Hardware Mounting Screw	
19A	Mounting Screw Lock-Washer	

Items listed below are for delayed closing action of door.

Item#	Name	Special Information Needed and Remarks
3TD	Time Delay Door Check Guide Assembly	right or left hand
4TD	Time Delay Door Guide (Remove)	must use with time delay check, finish

Items listed below are to retrofit existing 139B balanced hardware to allow door to open to 90 degrees per A.D.A. requirements. Both item numbers 1C and 10C are required for this change.

Item#	Name	Special Information Needed and Remarks
1C	139C Check and Door Guide Assembly	right or left hand, finish
10C	Offset Roller Guide Assembly	see drawing below



Ellison is responsible for the structural integrity of materials and work done under our contract only.