

GENERAL DRAWING NOTES:

1. Material:

- a. Extruded aluminum alloy 6063-T6 with a minimum wall thickness of 1/8".

2. Finishes:

- a. Available in anodized, kynar painted and powder coat paint finishes.

3. Doors:

- a. Standard door thickness is 2" nominal.
- b. Available stile widths: 1".
- c. Available top rail heights: 4 3/4".
- d. Available bottom rail heights: 4 3/4" and 10" or greater using dress plates (10" recommended to comply with 2004 ADA guidelines).

4. Frames:

- a. See details following for header profile required for specific power operator, and vertical jamb framing to properly support the power operator header.
- b. Refer to sections J-1 & J-2 for framed sidelight and transom configurations with applied glass stop configuration.
- c. Refer to section J-4 for tempered glass sidelight configuration.
- d. Refer to section J-2 for multi-light/true divided construction.
- e. Consult factory for bottom load type power operator configuration if required for recessed header applications.

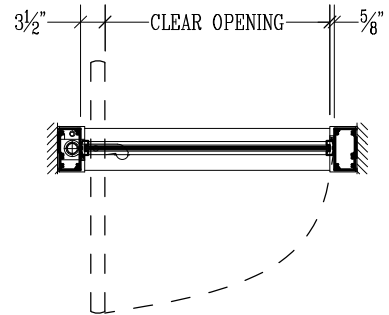
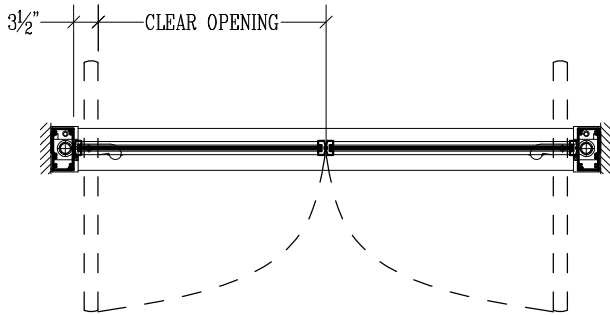
5. Threshold and floorbox types: Refer to section J pages 16 & 18 for details.

6. Door in open position/door projection: Refer to section J pages 15 & 17 for details.

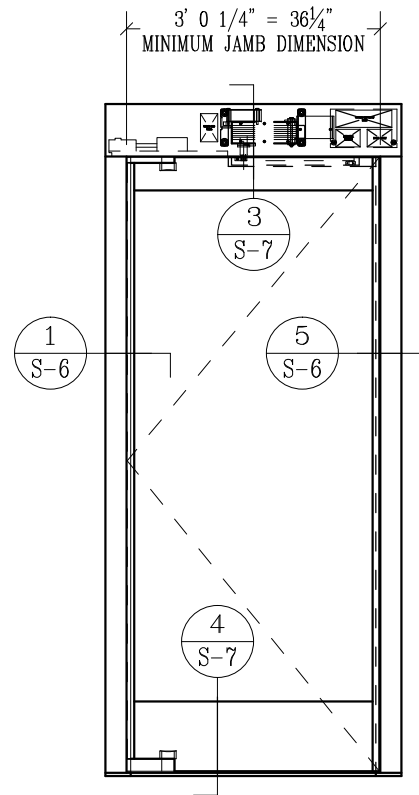
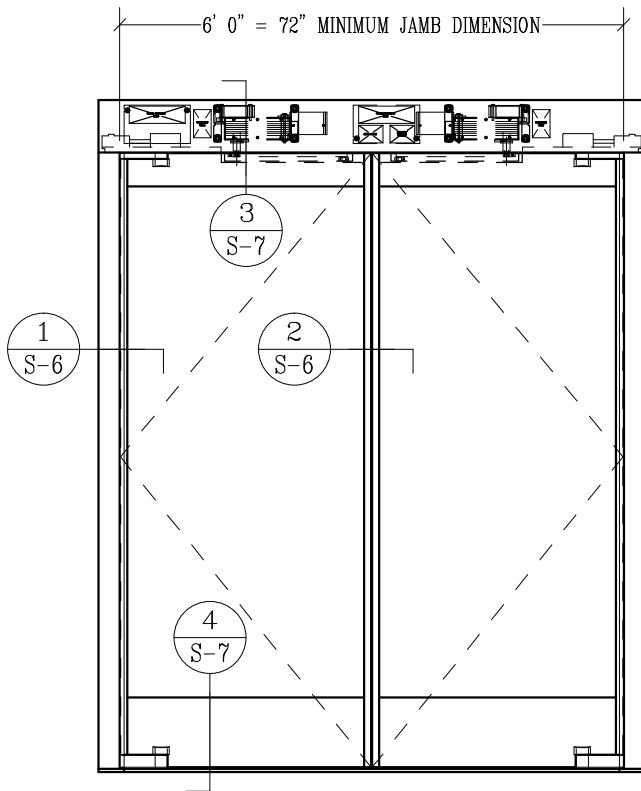
7. Further information: Refer to specifications following, miscellaneous items section M, curtainwall applications section L, or consult the factory.

Concealed Shafts / Horton "Power Now" (S-1)

INTERIOR

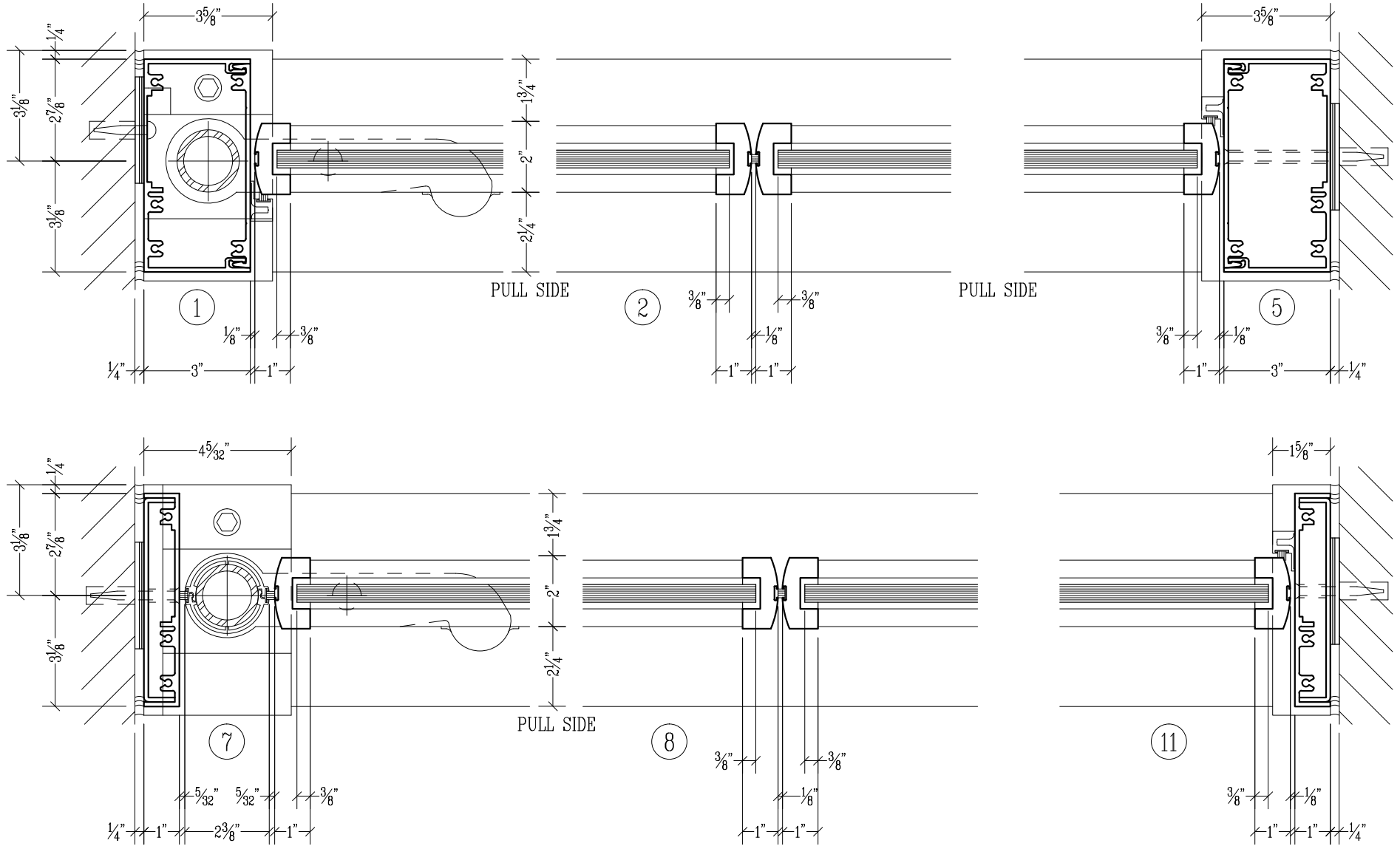


EXTERIOR
(Pull Side)

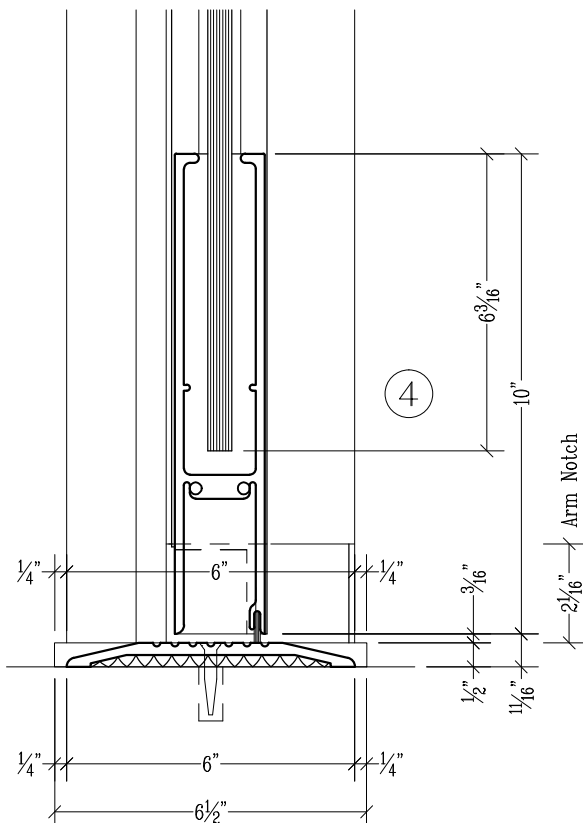
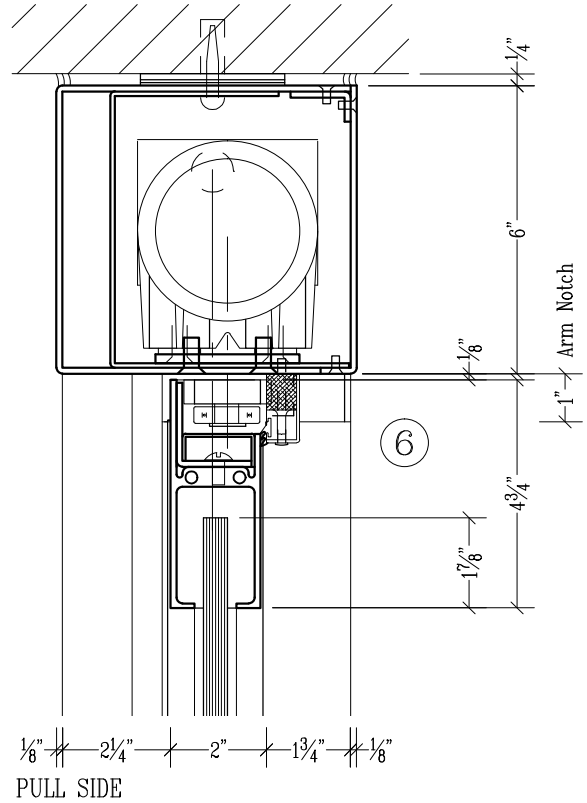
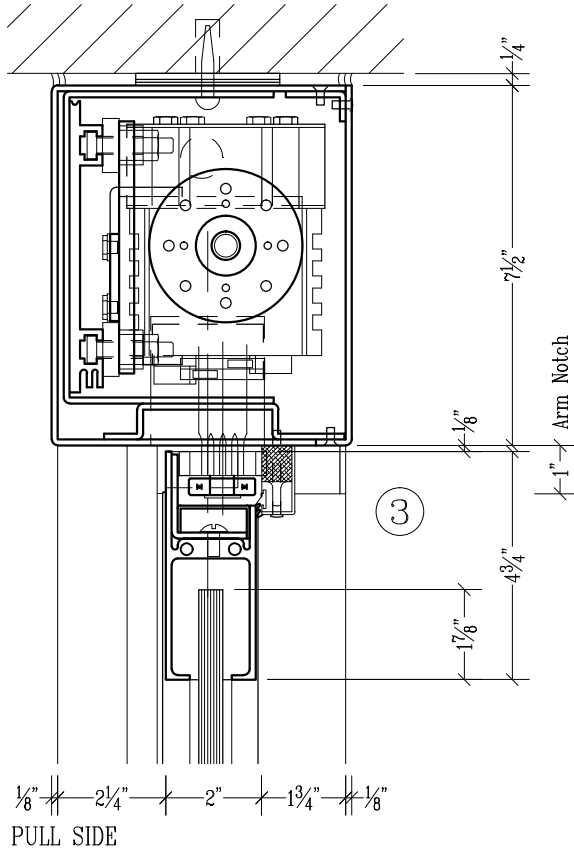


SHOWN WITH HORTON POWER OPERATORS

"Power Now" (S-1 & 2)



Concealed Shafts / "Power Now" (S-1)



Note: Side load type power operator configurations shown at details 3 & 6 (consult factory for optional bottom load configuration if required for recessed header applications)

SCALE: 1/4" = 1"