

**Extruded Aluminum Framing (K-3)**

**GENERAL DRAWING NOTES:**

**A. Doors (Wood):**

**1. Material and Finish:**

- a. Wood doors are available in American Black Walnut, Teak, American Black Cherry, Rift White oak, Red Oak, Plain Sawn Mahogany. Consult the factory for other wood species
- b. Doors to receive a final factory applied natural medium gloss finish.
- c. Door thickness: 2 3/8" (minimum) to 3" Maximum.
- d. Available stile widths: 3" minimum.
- e. Available top rail heights: 3" minimum.
- f. Available bottom rail heights: 6" minimum (10" recommended to comply with 2004 ADA guidelines).
- g. Glass stops (if desired) to be permanently fixed on exterior side and screw/nail attached on the interior side. Consult factory for glass stop configurations.

**B. Frames (Aluminum):**

**2. Material and Finish:**

- a. Extruded aluminum alloy 6063-T6 with a minimum wall thickness of 1/8".
- b. Aluminum framing available in anodized, kynar painted and powder coat paint finishes.
- c. See details following on pages 9 and 10, for 3" x 6" profile and optional 3" x 5" profile.
- d. Refer to sections C-1 and C-2 for framed sidelight and transom configurations with applied glass stop configuration.
- e. Refer to section C-2 for multi-light/true divided construction.
- f. Refer to section C-3 for optional exposed clad shaft details.

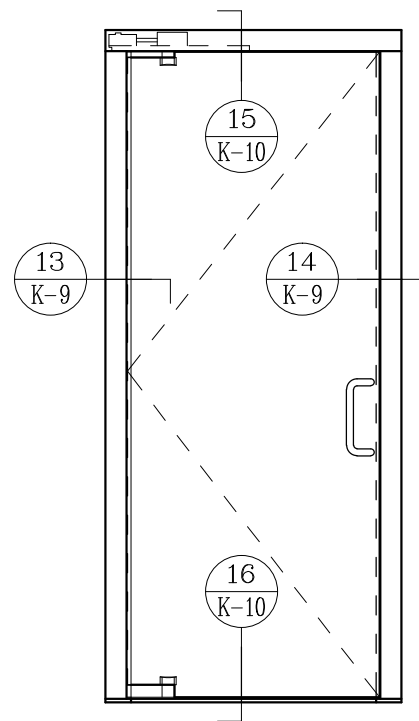
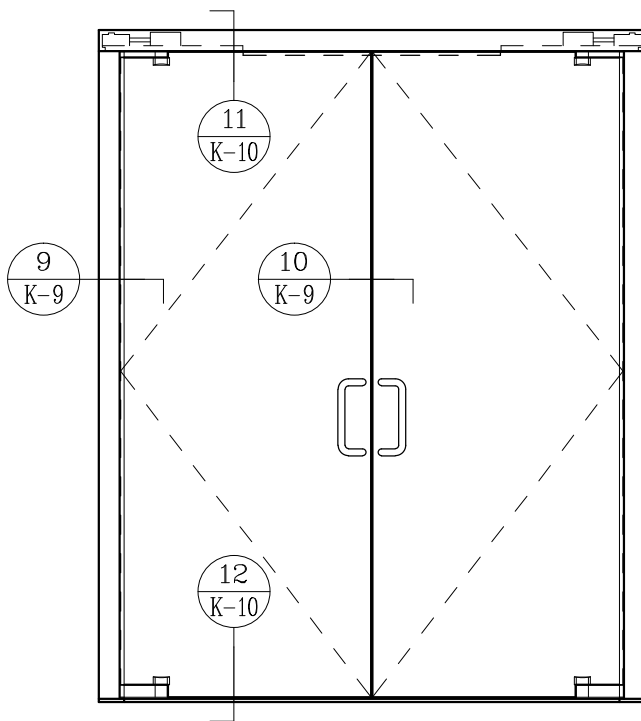
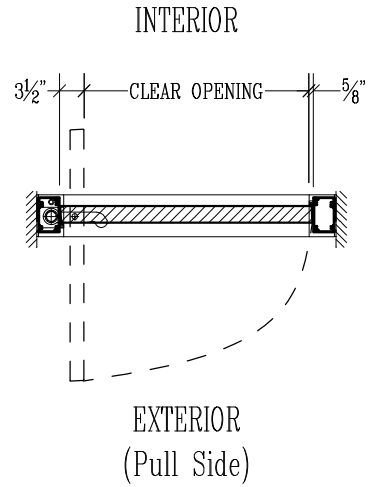
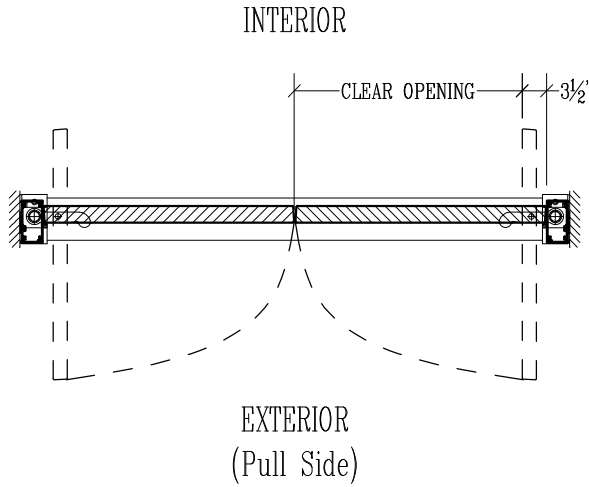
**3. Threshold and floorbox types:** Refer to section C pages 14 & 16 for details.

**4. Door in open position/door projection:** Refer to section C pages 13 & 15 for details.

**5. Grilles:** available, consult factory.

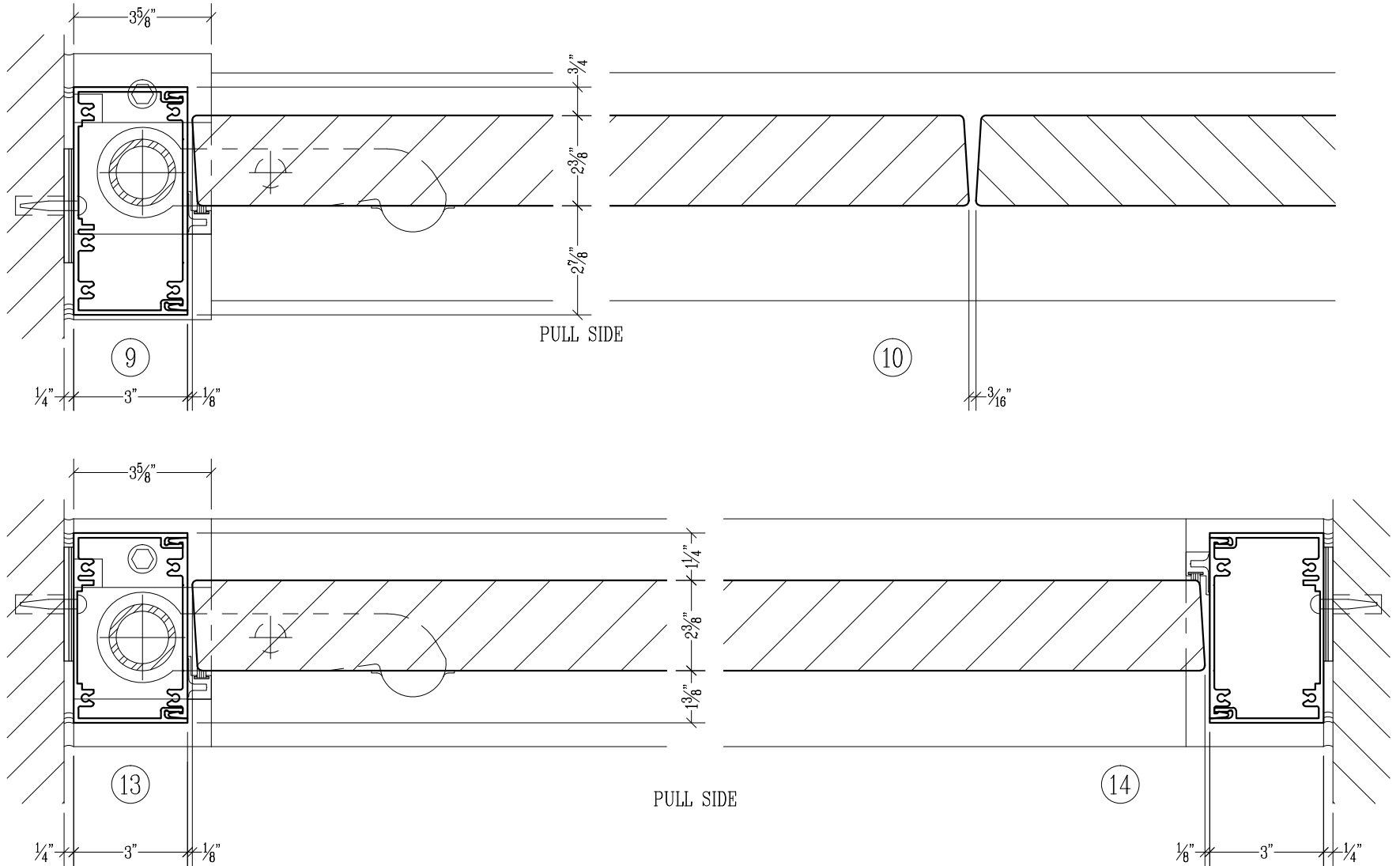
**6. Further information:** Refer to specifications following, miscellaneous items section M, curtainwall applications section L, or consult the factory.

**Extruded Aluminum Framing (K-3)**

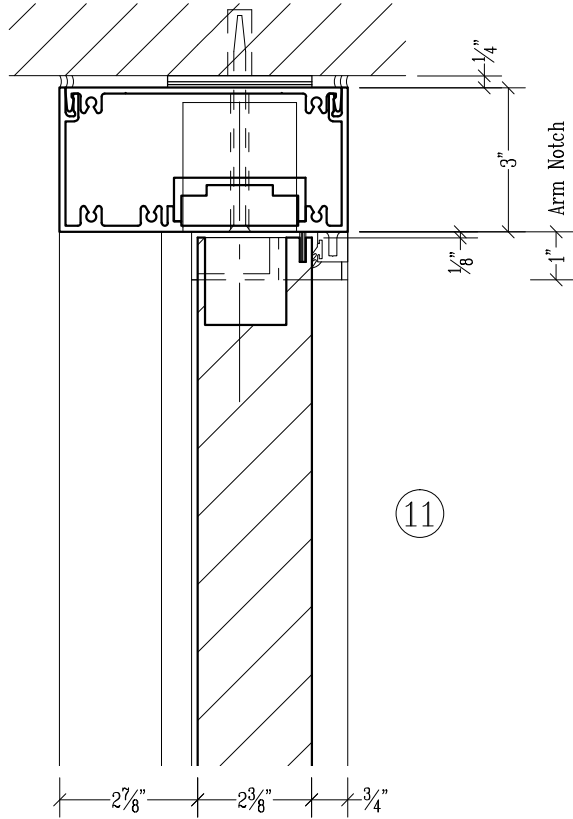


SHOWN WITH ALUMINUM FRAMING

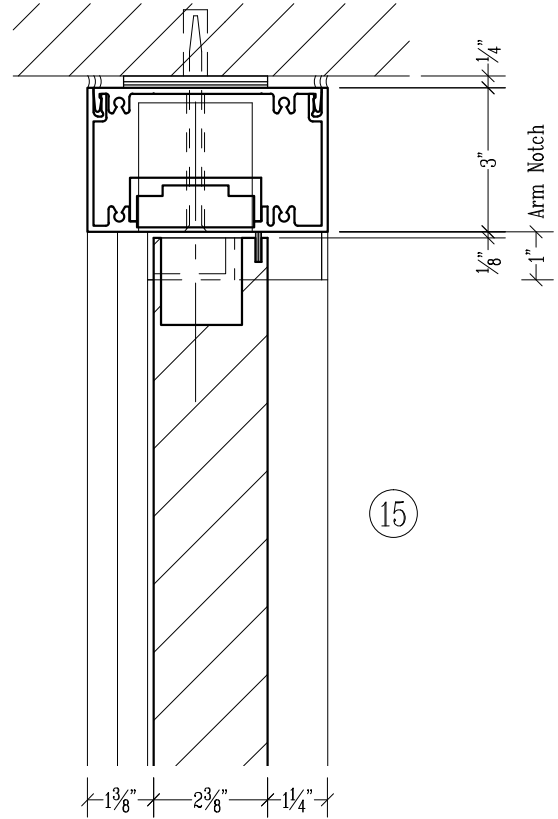
**Extruded Aluminum Framing (K-3)**



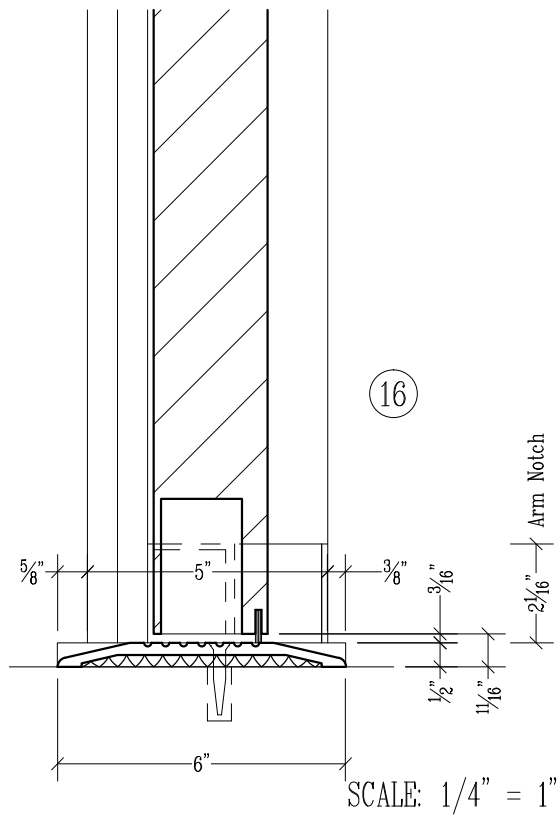
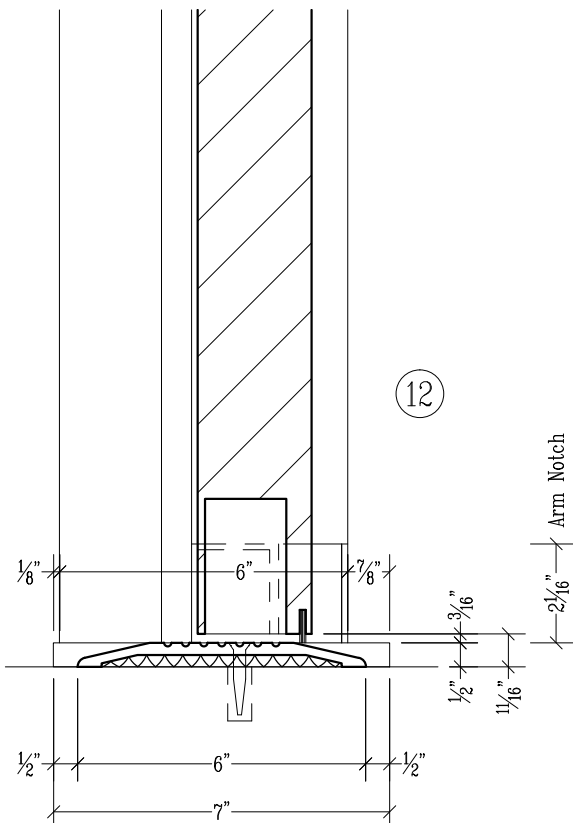
**Extruded Aluminum Framing (K-3)**



PULL SIDE



PULL SIDE



SCALE: 1/4" = 1"