

Formed-up Stainless Steel Framing (K-1)

GENERAL DRAWING NOTES:

A. Doors (Wood):

1. Material and Finish:

- a. Wood doors are available in American Black Walnut, Teak, American Black Cherry, Rift White oak, Red Oak, Plain Sawn Mahogany. Consult the factory for other wood species
- b. Doors to receive a final factory applied natural medium gloss finish.
- c. Door thickness: 2 3/8" (minimum) to 3" Maximum.
- d. Available stile widths: 3" minimum.
- e. Available top rail heights: 3" minimum.
- f. Available bottom rail heights: 6" minimum (10" recommended to comply with 2004 ADA guidelines).
- g. Glass stops (if desired) to be permanently fixed on exterior side and screw/nail attached on the interior side. Consult factory for glass stop configurations.

B. Frames (Stainless Steel):

2. Material and Finish:

- a. Standard for stainless steel is alloy number 304, with a minimum wall thickness of 3/32" (.09").
- b. Optional for stainless steel is alloy number 316 (more corrosion resistant), with a minimum wall thickness of 3/32" (.09").
- c. Formed-up framing available in polished, satin, non-directional (Jitterbug) and bead blasted finishes.
- d. See details following on pages 7 and 8, for 3" x 6" nominal profile and optional 3" x 5" nominal profile.
- e. Refer to sections A-1 and A-2 for framed sidelight and transom configurations with applied glass stop configuration.
- f. Refer to section A-2 for multi-light/true divided construction.
- g. Refer to section A-3 for framed sidelight and transom configurations with flush glazed stop configuration.
- h. Refer to section A-4 for optional exposed clad shaft details.

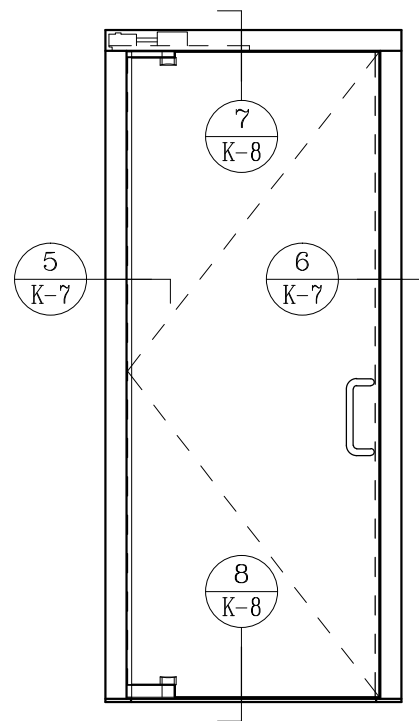
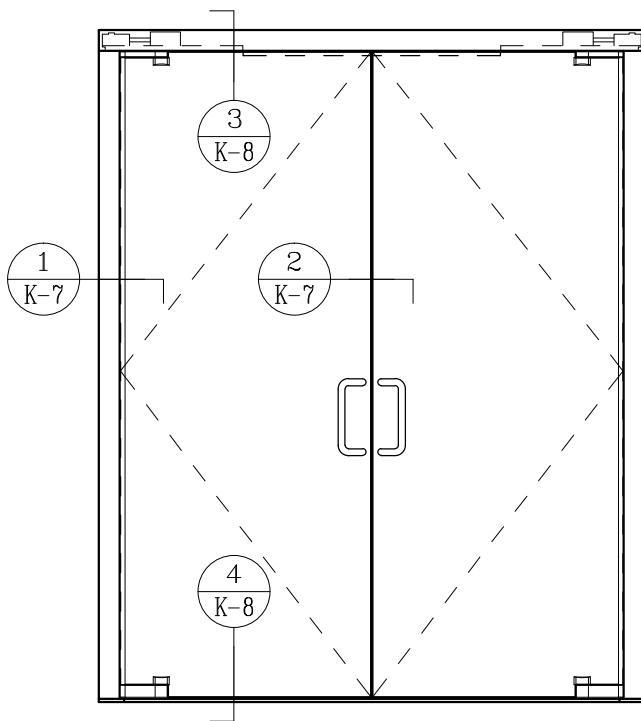
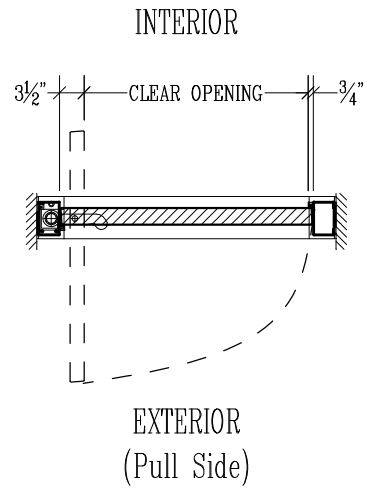
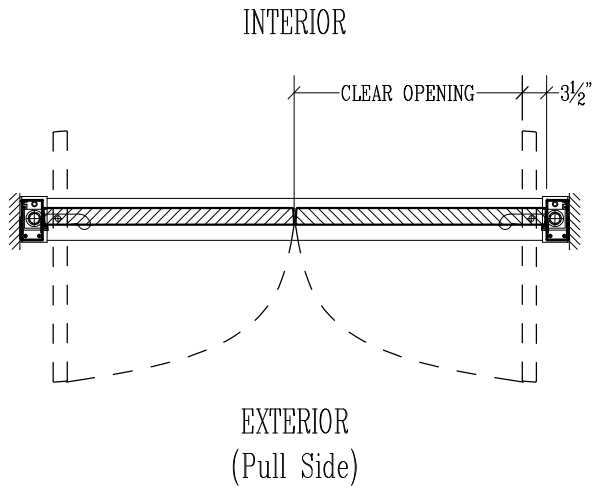
3. Threshold and floorbox types: Refer to section A pages 17 & 19 for details.

4. Door in open position/door projection: Refer to section A pages 16 & 18 for details.

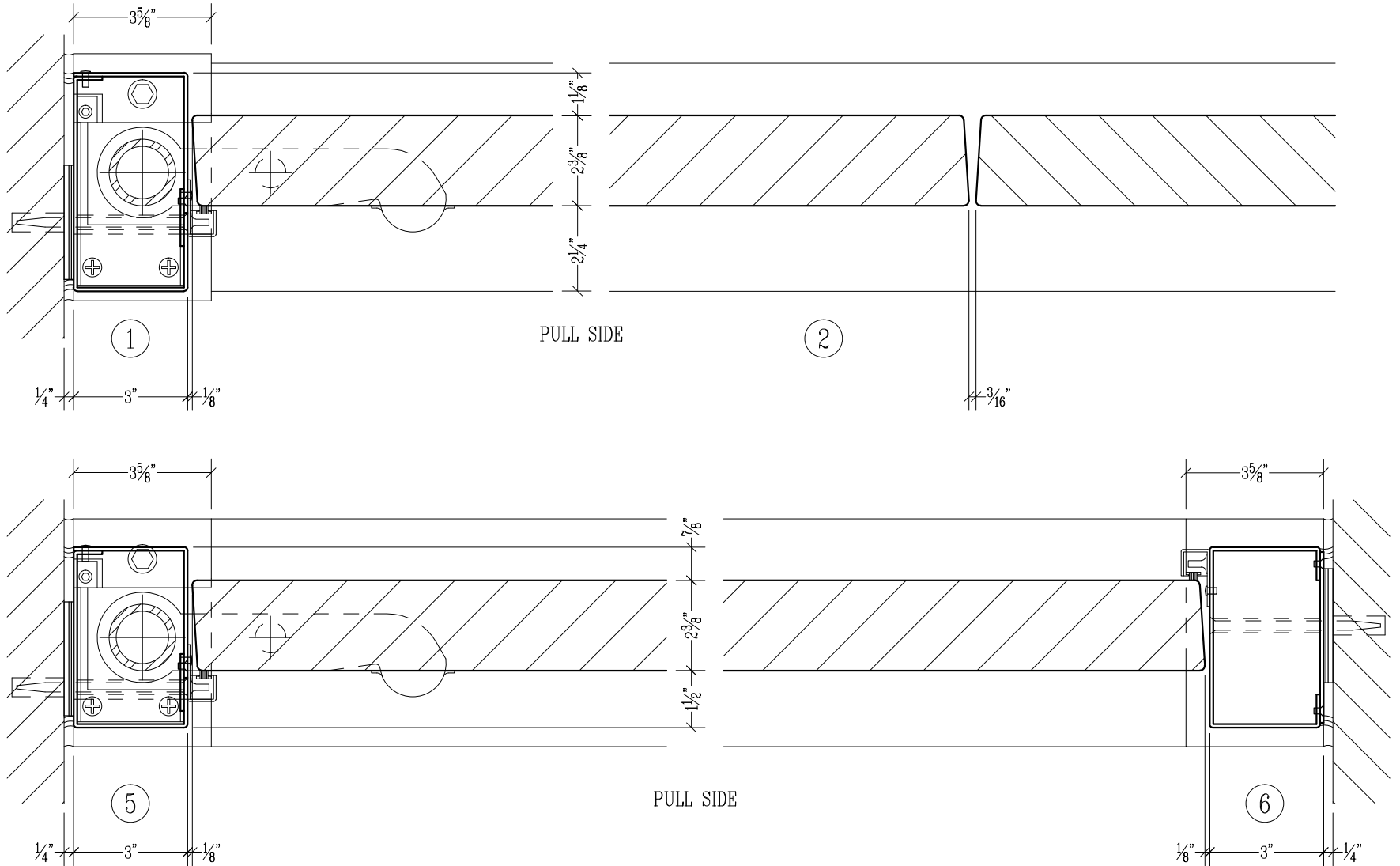
5. Grilles: available, consult factory.

6. Further information: Refer to specifications following, miscellaneous items section M, curtainwall applications section L, or consult the factory.

Formed-up Stainless Steel Framing (K-1)



Formed-up Stainless Steel or Bronze Framing (K-1 & 2)



Formed-up Stainless Steel or Bronze Framing (K-1 & 2)

